



Stainless Steel Gravity Spouting

- Tubing
- Elbows
- Branch Fittings
- Diverter Valves
- Transitions

- Spouts
- Air Inlets
- Tension Rings
- Sight Tubes
- Handhole Covers



A message from Great Western Manufacturing's Chief Operating Officer:

Dear Friends,

Your need for high quality, stainless steel, food grade spouting solutions to meet or exceed your requirements is a priority. Great Western has provided custom spouting for over 50 years & is now pleased to offer an even wider array of spouting products for every step throughout your process.

Current & future customers are invited, & encouraged, to try our enhanced spouting line to see the quality for yourselves. If you have any questions about the new additions to the line of spouting equipment, please do not hesitate to call one of our technical sales engineers at 800-682-3121 for more information.

Sincerely,

David Schroeder

About Great Western Manufacturing

For over 160 years, Great Western Manufacturing has handcrafted sifters, sieves, accessories, & parts in America's Heartland. We have perfected our art & continue working on innovations to add even more sanitation & security to our equipment.

Communication & responsiveness are key to our success. If you have a question or encounter an issue, know that as much time as necessary will be taken to solve it satisfactorily; even if that means arranging a service call for some personalized maintenance or training.

Great Western is a family-owned company, with many seasoned employees. Allow us to offer you the same quality, stability, & personal attention our employees give to crafting each piece of your machinery.

We look forward to working with you,

The Great Western Family



Contents

Stainless Steel Gravity Spouting

Tubing.....	6
Universal Elbows.....	7
Elbow Segments.....	8
Tension Rings.....	9
"Y" Branches.....	10
Diverter Valves.....	12
Transitions.....	16
Floor Spouts.....	18
Inlet Spouts.....	19
Sifter Inlets.....	20
Inspection Spouts.....	21
Air Inlets.....	24
Sight Tubes.....	25
Handhole Covers.....	26
Components on request.....	27
Great Western Sifters & Accessories.....	28

Abbreviations

Ø - Nominal Diameter

ØA - Outside Diameter

H - Height

L - Length

W - Width

QTY - Quantity

Note: All dimensions are approximate & subject to change.
Metal components are 304 Stainless Steel unless otherwise noted.

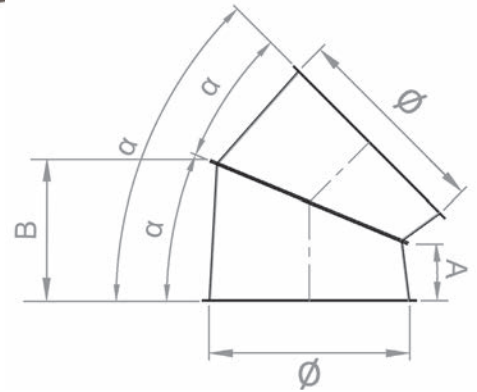
Tubing



Part Number	Ø	L	Thickness	QTY
Straight pipe with flared end				
SPT-IB2-105	105 mm (4.1")	1250 mm (49.2")	1 mm (.04")	
SPT-IB2-120	120 mm (4.7")	1250 mm (49.2")	1 mm (.04")	
SPT-IB2-150	150 mm (5.9")	1250 mm (49.2")	1 mm (.04")	
SPT-1B2-200	200 mm (7.9")	1250 mm (49.2")	1 mm (.04")	

Tubing supplied with protective pvc film.
 Ø250 mm & Ø300 mm available on request.

Universal Elbows

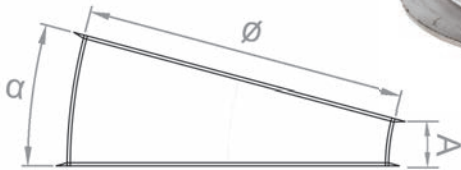


Adjustable from 0° to 45°

Part Number	Ø	A	B	α	Thickness	QTY
Universal Elbows						
SPT-I45-105	105 mm (4.1")	20 mm (.8")	70 mm (2.8")	0-45	.8 mm (.03")	
SPT-I45-120	120 mm (4.7")	20 mm (.8")	80 mm (3.1")	0-45	1 mm (.04")	
SPT-I45-150	150 mm (5.9")	20 mm (.8")	105 mm (4.1")	0-45	1 mm (.04")	
SPT-I45-200	200 mm (7.9")	20 mm (.8")	130 mm (5.1")	0-45	1.2 mm (.05")	

Segments connected by stainless steel tension rings. Zinc plated carbon steel screws.

Elbow Segments



Part Number	Ø	A	α	Thickness	QTY
Elbow Segments 5°					
SPT-C05-105	105 mm (4.1")	20 mm (.8")	5	.8 mm (.03")	
SPT-C05-120	120 mm (4.7")	20 mm (.8")	5	1 mm (.04")	
SPT-C05-150	150 mm (5.9")	20 mm (.8")	5	1 mm (.04")	
SPT-C05-200	200 mm (7.9")	20 mm (.8")	5	1.2 mm (.05")	
Elbow Segments 10°					
SPT-C10-105	105 mm (4.1")	20 mm (.8")	10	.8 mm (.03")	
SPT-C10-120	120 mm (4.7")	20 mm (.8")	10	1 mm (.04")	
SPT-C10-150	150 mm (5.9")	20 mm (.8")	10	1 mm (.04")	
SPT-C10-200	200 mm (7.9")	20 mm (.8")	10	1.2 mm (.05")	
Elbow Segments 15°					
SPT-C15-105	105 mm (4.1")	20 mm (.8")	15	.8 mm (.03")	
SPT-C15-120	120 mm (4.7")	20 mm (.8")	15	1 mm (.04")	
SPT-C15-150	150 mm (5.9")	20 mm (.8")	15	1 mm (.04")	
SPT-C15-200	200 mm (7.9")	20 mm (.8")	15	1.2 mm (.05")	
Elbow Segments 22.5°					
SPT-C22-105	105 mm (4.1")	20 mm (.8")	22.5	.8 mm (.03")	
SPT-C22-120	120 mm (4.7")	20 mm (.8")	22.5	1 mm (.04")	
SPT-C22-150	150 mm (5.9")	20 mm (.8")	22.5	1 mm (.04")	
SPT-C22-200	200 mm (7.9")	20 mm (.8")	22.5	1.2 mm (.05")	

Ø250 mm & Ø300 mm available on request.

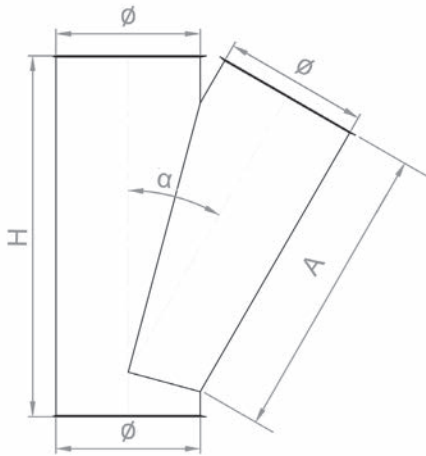
Tension Rings



Part Number	Ø	A	Thickness	QTY
Tension Rings				
SPT-NAI-105	105 mm (4.1")	8 mm (.3")	.8 mm (.03")	
SPT-NAI-120	120 mm (4.7")	8 mm (.3")	.8 mm (.03")	
SPT-NAI-150	150 mm (5.9")	8 mm (.3")	.8 mm (.03")	
SPT-NAI-200	200 mm (7.9")	8 mm (.3")	.8 mm (.03")	

Ø250 mm & Ø300 mm available on request. Zinc plated carbon steel screws.

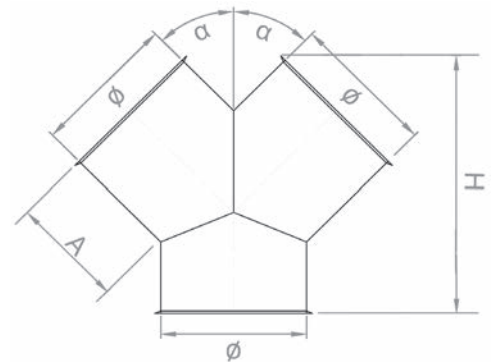
"Y" Branches



Part Number	Ø	H	A	α	Thickness	QTY
Asymmetric 30° "Y" Branches (60° from horizontal)						
SPT-I30-105	105 mm (4.1")	290 mm (11.4")	235 mm (9.3")	30	1 mm (.04")	
SPT-I30-120	120 mm (4.7")	320 mm (12.6")	260 mm (10.2")	30	1 mm (.04")	
SPT-I30-150	150 mm (5.9")	395 mm (15.6")	320 mm (12.6")	30	1 mm (.04")	
SPT-I30-200	200 mm (7.9")	510 mm (20.1")	430 mm (16.9")	30	1 mm (.04")	
Asymmetric 35° "Y" Branches (55° from horizontal)						
SPT-I35-105	105 mm (4.1")	265 mm (10.4")	200 mm (7.9")	35	1 mm (.04")	
SPT-I35-120	120 mm (4.7")	290 mm (11.4")	225 mm (8.9")	35	1 mm (.04")	
SPT-I35-150	150 mm (5.9")	340 mm (13.4")	265 mm (10.4")	35	1 mm (.04")	
SPT-I35-200	200 mm (7.9")	450 mm (17.7")	360 mm (14.2")	35	1 mm (.04")	
Asymmetric 40° "Y" Branches (50° from horizontal)						
SPT-I40-105	105 mm (4.1")	245 mm (9.6")	180 mm (7.1")	40	1 mm (.04")	
SPT-I40-120	120 mm (4.7")	270 mm (10.6")	195 mm (7.7")	40	1 mm (.04")	
SPT-I40-150	150 mm (5.9")	315 mm (12.4")	230 mm (9.1")	40	1 mm (.04")	
SPT-I40-200	200 mm (7.9")	410 mm (16.1")	310 mm (12.2")	40	1 mm (.04")	
Asymmetric 45° "Y" Branches (45° from horizontal)						
SPT-I45-105	105 mm (4.1")	230 mm (9.1")	155 mm (6.1")	45	1 mm (.04")	
SPT-I45-120	120 mm (4.7")	250 mm (9.8")	170 mm (6.7")	45	1 mm (.04")	
SPT-I45-150	150 mm (5.9")	295 mm (11.6")	200 mm (7.9")	45	1 mm (.04")	
SPT-I45-200	200 mm (7.9")	380 mm (15")	265 mm (10.4")	45	1 mm (.04")	

Ø250 mm & Ø300 mm available on request

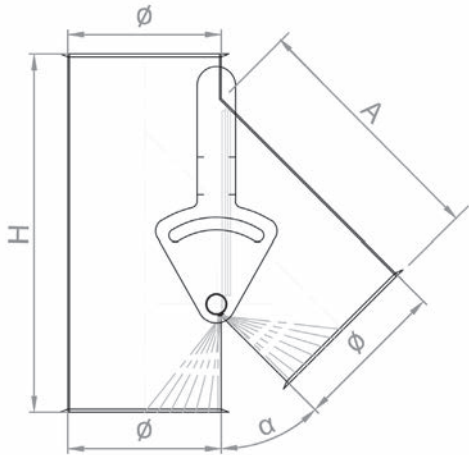
"Y" Branches



Part Number	ϕ	H	A	α	Thickness	QTY
Symmetric 30° + 30° Branches (60° from horizontal)						
SPT-230-105	105 mm (4.1")	195 mm (7.7")	125 mm (4.9")	30	1 mm (.04")	
SPT-230-120	120 mm (4.7")	195 mm (7.7")	125 mm (4.9")	30	1 mm (.04")	
SPT-230-150	150 mm (5.9")	225 mm (8.9")	145 mm (5.7")	30	1 mm (.04")	
SPT-230-200	200 mm (7.9")	315 mm (12.4")	215 mm (8.5")	30	1 mm (.04")	
Branches Symmetric 35° + 35° (55° from horizontal)						
SPT-235-105	105 mm (4.1")	180 mm (7.1")	110 mm (4.3")	35	1 mm (.04")	
SPT-235-120	120 mm (4.7")	195 mm (7.7")	115 mm (4.5")	35	1 mm (.04")	
SPT-235-150	150 mm (5.9")	225 mm (8.6")	135 mm (5.3")	35	1 mm (.04")	
SPT-235-200	200 mm (7.9")	290 mm (11.4")	180 mm (7.1")	35	1 mm (.04")	
Symmetric 40° + 40° "Y" Branches (50° from horizontal)						
SPT-240-105	105 mm (4.1")	170 mm (6.7")	95 mm (3.7")	40	1 mm (.04")	
SPT-240-120	120 mm (4.7")	185 mm (10.4")	100 mm (3.9")	40	1 mm (.04")	
SPT-240-150	150 mm (5.9")	210 mm (8.3")	110 mm (4.3")	40	1 mm (.04")	
SPT-240-200	200 mm (7.9")	275 mm (10.8")	115 mm (4.5")	40	1 mm (.04")	
Symmetric 45° + 45° "Y" Branches (45° from horizontal)						
SPT-245-105	105 mm (4.1")	160 mm (6.3")	80 mm (3.1")	45	1 mm (.04")	
SPT-245-120	120 mm (4.7")	175 mm (6.9")	85 mm (3.3")	45	1 mm (.04")	
SPT-240-150	150 mm (5.9")	200 mm (7.9")	95 mm (3.7")	45	1 mm (.04")	
SPT-245-200	200 mm (7.9")	265 mm (10.4")	130 mm (5.1")	45	1 mm (.04")	

Ø250 mm & Ø300 mm available on request.

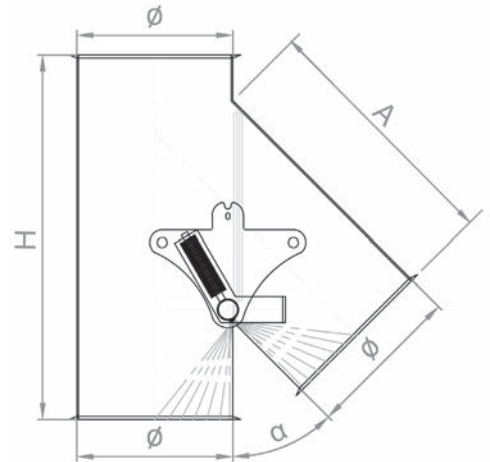
Diverter Valves



Part Number	Ø	H	A	α	Thickness	QTY
Asymmetric 30° Hand Operated Diverter Valves (60° from horizontal)						
SPT-30M-105	105 mm (4.1")	335 mm (13.1")	275 mm (10.8")	30	1.2 mm (.05")	
SPT-30M-120	120 mm (4.7")	405 mm (15.9")	340 mm (13.4")	30	1.2 mm (.05")	
SPT-30M-150	150 mm (5.9")	460 mm (18.1")	395 mm (15.6")	30	1.2 mm (.05")	
SPT-30M-200	200 mm (7.9")	565 mm (22.2")	480 mm (18.9")	30	1.2 mm (.05")	
Asymmetric 35° Hand Operated Diverter Valves (55° from horizontal)						
SPT-35M-105	105 mm (4.1")	305 mm (12")	240 mm (9.4")	35	1.2 mm (.05")	
SPT-35M-120	120 mm (4.7")	370 mm (14.6")	300 mm (11.8")	35	1.2 mm (.05")	
SPT-35M-150	150 mm (5.9")	420 mm (16.5")	345 mm (13.6")	35	1.2 mm (.05")	
SPT-35M-200	200 mm (7.9")	510 mm (20.1")	415 mm (16.3")	35	1.2 mm (.05")	
Asymmetric 40° Hand Operated Diverter Valves (50° from horizontal)						
SPT-40M-105	105 mm (4.1")	280 mm (11")	210 mm (8.3")	40	1.2 mm (.05")	
SPT-40M-120	120 mm (4.7")	345 mm (13.6")	270 mm (10.6")	40	1.2 mm (.05")	
SPT-40M-150	150 mm (5.9")	390 mm (15.4")	305 mm (12")	40	1.2 mm (.05")	
SPT-40M-200	200 mm (7.9")	470 mm (18.5")	365 mm (14.4")	40	1.2 mm (.05")	
Asymmetric 45° Hand Operated Diverter Valves (45° from horizontal)						
SPT-45M-105	105 mm (4.1")	265 mm (10.4")	190 mm (7.5")	45	1.2 mm (.05")	
SPT-45M-120	120 mm (4.7")	320 mm (12.6")	240 mm (9.4")	45	1.2 mm (.05")	
SPT-45M-150	150 mm (5.9")	365 mm (14.4")	270 mm (10.6")	45	1.2 mm (.05")	
SPT-45M-200	200 mm (7.9")	435 mm (17.1")	320 mm (12.6")	45	1.2 mm (.05")	

Ø250 mm & Ø300 mm available on request.

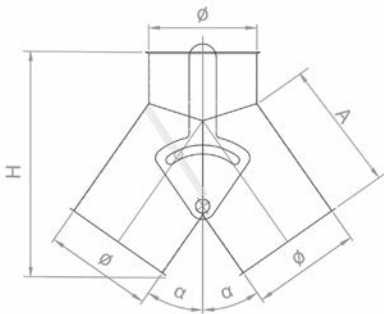
Diverter Valves



Part Number	Ø	H	A	α	Thickness	QTY
Asymmetric 30° Hand Operated Diverter Valves With Spring (60° from horizontal)						
SPT-V30-105	105 mm (4.1")	335 mm (13.1")	275 mm (10.8")	30	1.2 mm (.05")	
SPT-V30-120	120 mm (4.7")	405 mm (15.9")	340 mm (13.38")	30	1.2 mm (.05")	
SPT-V30-150	150 mm (5.9")	460 mm (18.1")	395 mm (15.6")	30	1.2 mm (.05")	
SPT-V30-200	200 mm (7.9")	565 mm (22.2")	480 mm (18.9")	30	1.2 mm (.05")	
Asymmetric 35° Hand Operated Diverter Valves With Spring (55° from horizontal)						
SPT-V35-105	105 mm (4.1")	305 mm (12")	240 mm (9.4")	35	1.2 mm (.05")	
SPT-V35-120	120 mm (4.7")	370 mm (14.6")	300 mm (11.8")	35	1.2 mm (.05")	
SPT-V35-150	150 mm (5.9")	420 mm (16.5")	345 mm (13.6")	35	1.2 mm (.05")	
SPT-V35-200	200 mm (7.9")	510 mm (20.1")	415 mm (16.3")	35	1.2 mm (.05")	
Asymmetric 40° Hand Operated Diverter Valves With Spring (50° from horizontal)						
SPT-V40-105	105 mm (4.1")	280 mm (11")	210 mm (8.3")	40	1.2 mm (.05")	
SPT-V40-120	120 mm (4.7")	340 mm (13.4")	270 mm (10.6")	40	1.2 mm (.05")	
SPT-V40-150	150 mm (5.9")	390 mm (15.4")	305 mm (12")	40	1.2 mm (.05")	
SPT-V40-200	200 mm (7.9")	470 mm (18.5")	365 mm (14.4")	40	1.2 mm (.05")	
Asymmetric 45° Hand Operated Diverter Valves With Spring (45° from horizontal)						
SPT-V45-105	105 mm (4.1")	260 mm (10.2")	190 mm (7.5")	45	1.2 mm (.05")	
SPT-V45-120	120 mm (4.7")	320 mm (12.6")	240 mm (9.4")	45	1.2 mm (.05")	
SPT-V45-150	150 mm (5.9")	365 mm (14.4")	270 mm (10.6")	45	1.2 mm (.05")	
SPT-V45-200	200 mm (7.9")	435 mm (17.1")	320 mm (12.6")	45	1.2 mm (.05")	

Ø250 mm & Ø300 mm available on request.

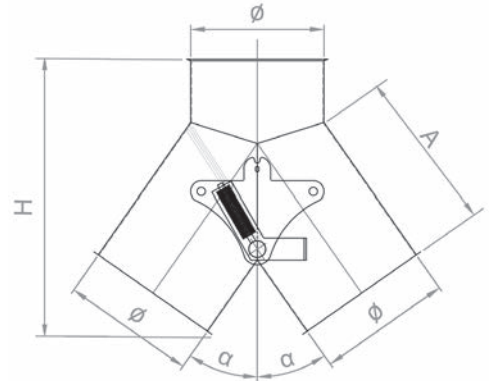
Diverter Valves



Part Number	Ø	H	A	α	Thickness	QTY
Symmetric 30° + 30° Hand Operated Diverter Valves (60° from horizontal)						
SPT-S30-105	105 mm (4.1")	200 mm (7.9")	140 mm (5.5")	30	1.2 mm (.05")	
SPT-S30-120	120 mm (4.7")	240 mm (9.4")	185 mm (7.3")	30	1.2 mm (.05")	
SPT-S30-150	150 mm (5.9")	270 mm (10.6")	200 mm (7.9")	30	1.2 mm (.05")	
SPT-S30-200	200 mm (7.9")	320 mm (12.6")	230 mm (9.1")	30	1.2 mm (.05")	
Symmetric 35° + 35° Hand Operated Diverter Valves (55° from horizontal)						
SPT-S35-105	105 mm (4.1")	185 mm (7.3")	125 mm (4.9")	35	1.2 mm (.05")	
SPT-S35-120	120 mm (4.7")	220 mm (8.7")	160 mm (6.3")	35	1.2 mm (.05")	
SPT-S35-150	150 mm (5.9")	245 mm (9.6")	175 mm (6.9")	35	1.2 mm (.05")	
SPT-S35-200	200 mm (7.9")	290 mm (11.4")	195 mm (7.7")	35	1.2 mm (.05")	
Symmetric 40° + 40° Hand Operated Diverter Valves (50° from horizontal)						
SPT-S40-105	105 mm (4.1")	185 mm (7.3")	115 mm (4.5")	40	1.2 mm (.05")	
SPT-S40-120	120 mm (4.7")	205 mm (8.1")	145 mm (5.7")	40	1.2 mm (.05")	
SPT-S40-150	150 mm (5.9")	230 mm (9.1")	155 mm (6.1")	40	1.2 mm (.05")	
SPT-S40-200	200 mm (7.9")	270 mm (10.6")	170 mm (6.7")	40	1.2 mm (.05")	
Symmetric 45° + 45° Hand Operated Diverter Valves (45° from horizontal)						
SPT-S45-105	105 mm (4.1")	170 mm (6.7")	100 mm (3.9")	45	1.2 mm (.05")	
SPT-S45-120	120 mm (4.7")	190 mm (7.5")	130 mm (5.1")	45	1.2 mm (.05")	
SPT-S45-150	150 mm (5.9")	215 mm (8.5")	135 mm (5.3")	45	1.2 mm (.05")	
SPT-S45-200	200 mm (7.9")	245 mm (9.6")	145 mm (5.7")	45	1.2 mm (.05")	

Ø250 mm & Ø300 mm available on request.

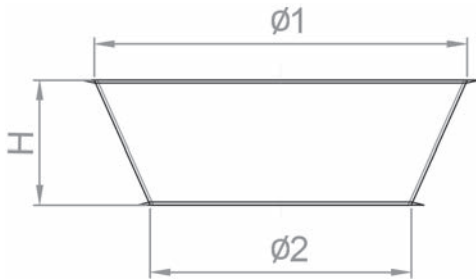
Diverter Valves



Part Number	Ø	H	A	α	Thickness	QTY
Symmetric 30° + 30° Hand Operated Diverter Valves With Spring (60° from horizontal)						
SPT-M30-105	105 mm (4.1")	200 mm (7.9")	140 mm (5.5")	30	1.2 mm (.05")	
SPT-M30-120	120 mm (4.7")	240 mm (9.4")	185 mm (7.3")	30	1.2 mm (.05")	
SPT-M30-150	150 mm (5.9")	270 mm (10.6")	200 mm (7.9")	30	1.2 mm (.05")	
SPT-M30-200	200 mm (7.9")	320 mm (12.6")	230 mm (9.1")	30	1.2 mm (.05")	
Symmetric 35° + 35° Hand Operated Diverter Valves With Spring (55° from horizontal)						
SPT-M35-105	105 mm (4.1")	185 mm (7.3")	125 mm (4.9")	35	1.2 mm (.05")	
SPT-M35-120	120 mm (4.7")	220 mm (8.6")	160 mm (6.3")	35	1.2 mm (.05")	
SPT-M35-150	150 mm (5.9")	245 mm (9.6")	175 mm (6.9")	35	1.2 mm (.05")	
SPT-M35-200	200 mm (7.9")	290 mm (11.4")	195 mm (7.7")	35	1.2 mm (.05")	
Symmetric 40° + 40° Hand Operated Diverter Valves With Spring (50° from horizontal)						
SPT-M40-105	105 mm (4.1")	185 mm (7.3")	115 mm (4.5")	40	1.2 mm (.05")	
SPT-M40-120	120 mm (4.7")	205 mm (8.1")	145 mm (5.7")	40	1.2 mm (.05")	
SPT-M40-150	150 mm (5.9")	230 mm (9.1")	155 mm (6.1")	40	1.2 mm (.05")	
SPT-M40-200	200 mm (7.9")	270 mm (10.6")	170 mm (6.7")	40	1.2 mm (.05")	
Symmetric 45° + 45° Hand Operated Diverter Valves With Spring (45° from horizontal)						
SPT-M45-105	105 mm (4.1")	170 mm (6.7")	100 mm (3.9")	45	1.2 mm (.05")	
SPT-M45-120	120 mm (4.7")	190 mm (7.5")	130 mm (5.1")	45	1.2 mm (.05")	
SPT-M45-150	150 mm (5.9")	215 mm (8.5")	135 mm (5.3")	45	1.2 mm (.05")	
SPT-M45-200	200 mm (7.9")	245 mm (9.6")	145 mm (5.7")	45	1.2 mm (.05")	

Ø250 mm & Ø300 mm available on request.

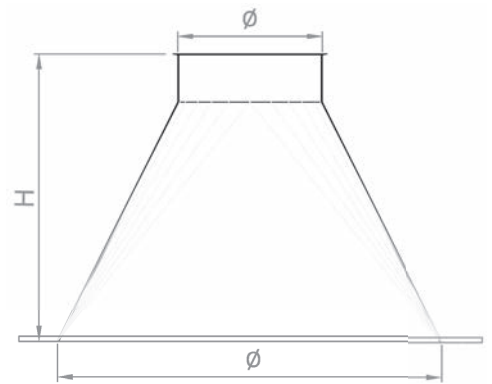
Conical Transitions



Part Number	Ø1	Ø2	H	Thickness	QTY
Concentric Cones					
SPT-RCI-105	120 mm (4.7")	105 mm (4.1")	40 mm (1.6")	1 mm (.04")	
SPT-RCI-150A	150 mm (5.9")	105 mm (4.1")	40 mm (1.6")	1 mm (.04")	
SPT-RCI-150B	150 mm (5.9")	120 mm (4.7")	40 mm (1.6")	1 mm (.04")	
SPT-RCI-200	200 mm (7.9")	150 mm (5.9")	40 mm (1.6")	1 mm (.04")	
Eccentric Cones					
SPT-REI-105	120 mm (4.7")	105 mm (4.1")	100 mm (3.9")	1 mm (.04")	
SPT-REI-150A	150 mm (5.9")	105 mm (4.1")	100 mm (3.9")	1 mm (.04")	
SPT-REI-150B	150 mm (5.9")	120 mm (4.7")	100 mm (3.9")	1 mm (.04")	
SPT-REI-200	200 mm (7.9")	150 mm (5.9")	100 mm (3.9")	1 mm (.04")	

Other diameters available on request.

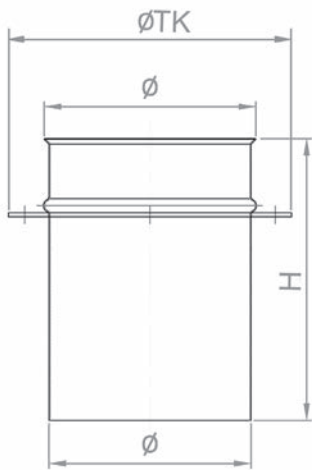
Transitions



Part Number	Ø	A	B	H	Thickness	QTY
Square to Round Transition						
SPT-TRF-105	105 mm (4.1")	150 mm (5.9")	150 mm (5.9")	100 mm (3.9")	1 mm (.04")	
SPT-TRF-120	120 mm (4.7")	170 mm (6.7")	170 mm (6.7")	100 mm (3.9")	1 mm (.04")	
SPT-TRF-150	150 mm (5.9")	200 mm (7.9")	200 mm (7.9")	100 mm (3.9")	1 mm (.04")	
SPT-TRF-200	200 mm (7.9")	250 mm (9.8")	250 mm (9.8")	100 mm (3.9")	1 mm (.04")	

Flange is 20 mm x 20 mm, 3 mm thick, with 8 Ø6.7 holes
Other configurations on request.

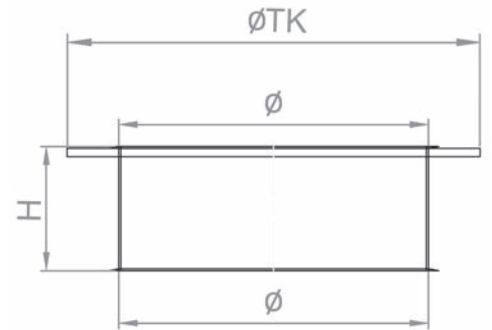
Floor Spouts



Part Number	Ø	H	Thickness	QTY
Flanged Floor Spouts				
SPT-CPF-105	105 mm (4.1")	200 mm (7.9")	1 mm (.04")	
SPT-CPF-120	120 mm (4.7")	200 mm (7.9")	1 mm (.04")	
SPT-CPF-150	150 mm (5.9")	200 mm (7.9")	1 mm (.04")	
SPT-CPF-200	200 mm (7.9")	200 mm (7.9")	1 mm (.04")	

Flange is 30 mm, 3 mm thick, with 4 Ø6.7 holes
 Ø250 mm & Ø300 mm available on request.

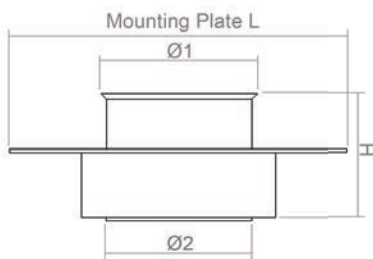
Inlet Spouts



Part Number	Ø	H	Thickness	QTY
Flanged Inlet Spouts				
SPT-CFL-105	105 mm (4.1")	30 mm (1.2")	1 mm (.04")	
SPT-CFL-120	120 mm (4.7")	30 mm (1.2")	1 mm (.04")	
SPT-CFL-150	150 mm (5.9")	30 mm (1.2")	1 mm (.04")	
SPT-CFL-200	200 mm (7.9")	30 mm (1.2")	1 mm (.04")	

Flange is 30 mm, 3 mm thick, with 4 Ø6.7 holes
 Ø250 mm & Ø300 mm available on request.

Sifter Inlets



Part Number	Ø1	Ø2	H	Thickness	Mounting Plate L	Mounting Plate W
Sifter Inlets						
SPT-IS5-105	105 mm (4.1")	200 mm (7.9")	130 mm (5.1")	1 mm (.04")	350 mm (13.8")	240 mm (9.4")
SPT-IS5-120	120 mm (4.7")	200 mm (7.9")	130 mm (5.1")	1 mm (.04")	350 mm (13.8")	240 mm (9.4")
SPT-IS5-150	150 mm (5.9")	200 mm (7.9")	130 mm (5.1")	1 mm (.04")	350 mm (13.8")	240 mm (9.4")
SPT-IS5-200	200 mm (7.9")	200 mm (7.9")	130 mm (5.1")	1 mm (.04")	350 mm (13.8")	240 mm (9.4")

Flange is 240 x 350 mm, 2 mm thick, with 4 Ø6.7 mm holes.
Other configurations on request.

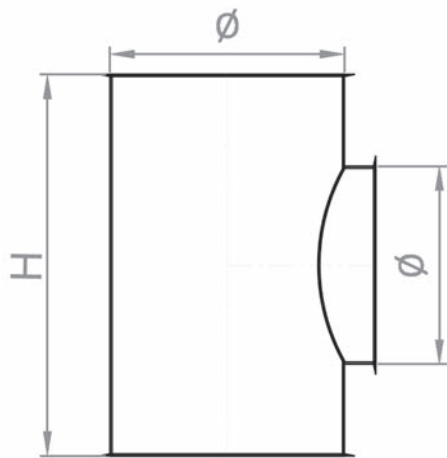
Inspection Spouts



Part Number	Ø	H	Thickness	QTY
Inspection Spouts With Hinged Cover				
SPT-INS-105	105 mm (4.1")	190 mm (7.5")	1 mm (.04")	
SPT-INS-120	120 mm (4.7")	190 mm (7.5")	1 mm (.04")	
SPT-INS-150	150 mm (5.9")	190 mm (7.5")	1 mm (.04")	
SPT-INS-200	200 mm (7.9")	190 mm (7.5")	1 mm (.04")	

Ø250 mm & Ø300 mm available on request.

Inspection Spouts



Part Number	Ø	H	Inspection Ø	Thickness	QTY
Inspection Spouts 90°					
SPT-I90-105	105 mm (4.1")	190 mm (7.5")	100 mm (3.9")	1 mm (.04")	
SPT-I90-120	120 mm (4.7")	190 mm (7.5")	100 mm (3.9")	1 mm (.04")	
SPT-I90-150	150 mm (5.9")	190 mm (7.5")	100 mm (3.9")	1 mm (.04")	
SPT-I90-200	200 mm (7.9")	190 mm (7.5")	100 mm (3.9")	1 mm (.04")	

Ø250 mm & Ø300 mm available on request.

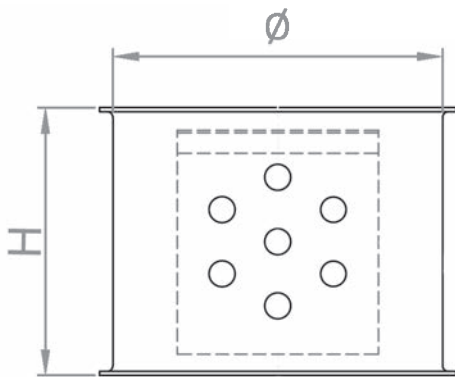
Inspection Spouts



Part Number	Ø	H	Thickness	QTY
Inspection Spouts 45° With Rubber Cover				
SPT-IN2-105	105 mm (4.1")	235 mm (9.3")	1 mm (.04")	
SPT-IN2-120	120 mm (4.7")	235 mm (9.3")	1 mm (.04")	
SPT-IN2-150	150 mm (5.9")	240 mm (9.4")	1 mm (.04")	

Flange is 20 x 3 mm plate, 2 mm thick, with 4 Ø6.4 mm holes.

Air Inlets



Part Number	Ø	H	Hole Ø	Thickness	QTY
False Air Inlets With Holes					
SPT-PAI-105	105 mm (4.1")	100 mm (3.9")	19 mm (.75")	1 mm (.04")	
SPT-PAI-120	120 mm (4.7")	100 mm (3.9")	19 mm (.75")	1 mm (.04")	
SPT-PAI-150	150 mm (5.9")	100 mm (3.9")	19 mm (.75")	1 mm (.04")	
SPT-PAI-200	200 mm (7.9")	100 mm (3.9")	19 mm (.75")	1 mm (.04")	

Sight Tubes



Part Number	Ø	H	Thickness	Vertical Supports	Flange W	Flange Thickness	QTY
Sight Tubes							
SPT-STI-105	105 mm (4.1")	210 mm (7.9")	1 mm (.04")	3 mm (.12")	25 mm (.98")	5 mm (.20")	
SPT-STI-120	120 mm (4.7")	210 mm (7.9")	1 mm (.04")	3 mm (.12")	25 mm (.98")	5 mm (.20")	
SPT-STI-150	150 mm (5.9")	210 mm (7.9")	1 mm (.04")	3 mm (.12")	25 mm (.98")	5 mm (.20")	
SPT-STI-200	200 mm (7.9")	210 mm (7.9")	1 mm (.04")	3 mm (.12")	25 mm (.98")	5 mm (.20")	
SPT-STI-12B	Product sensor (all diameters)		1.2 mm (.05")				

Ø250 mm & Ø300 mm available on request.

Handhole Covers



Part Number	Ø (mm)	A	Qty
Rubber Covers			
SPT-NAI-100	100 mm (3.9")	25 mm (.98")	
SPT-NAI-120	120 mm (4.7")	25 mm (.98")	
SPT-NAI-150	150 mm (5.9")	25 mm (.98")	
SPT-NAI-200	200 mm (7.9")	25 mm (.98")	
SPT-GNK-100	100 mm (3.9")	25 mm (.98")	
SPT-GNK-120	120 mm (4.7")	25 mm (.98")	
SPT-GNK-150	150 mm (5.9")	25 mm (.98")	

Components on request

Components on request include:

- Triple Branch 30° + 30° (SPT-TBR-030)
- Welded elbow
- Distribution box with hinged covers
- Swivel spout with hinged covers
- Inspection spout 75°
- Air inlet with hood
- Electro-Pneumatic Actuated Diverter Valves
 - Asymmetric
 - Symmetric

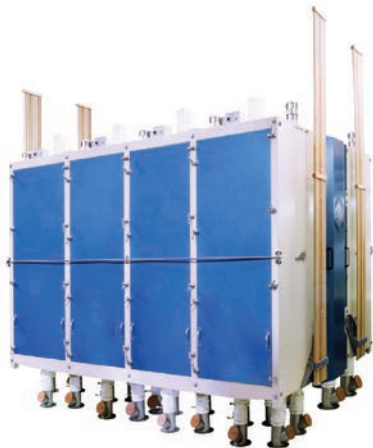
GREAT WESTERN SIFTERS

Ensuring quality, consistency, & sanitation for over 160 years!

Great Western sifters use a horizontal gyratory motion to offer optimal performance for screening of dry bulk solids. All of our sifters allow easy accessibility for cleaning & maintenance. Our vertically stacked screens conserve space & offer maximum grading flexibility. We fabricate sieves of various materials & sizes to fit most North American & European sifters & offer rescreening services.

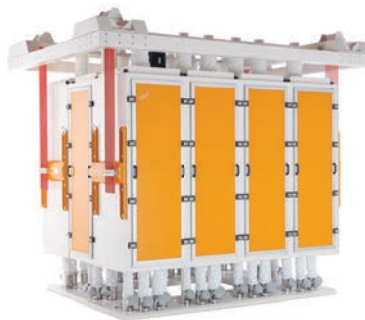
HS Free Swinging

A high-capacity machine manufactured in 2, 4, 6, or 8 sections utilizing from 10 to 30 sieves in 3 sizes.



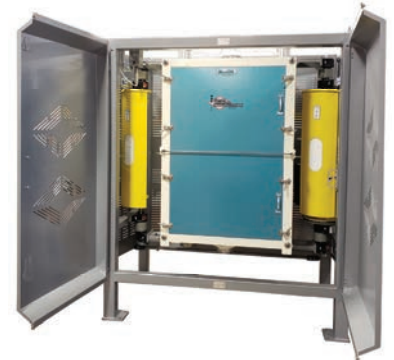
Metal Free Swinging

Sanitary machines with 2 to 12 compartments in US standard & European sieve sizes, or available in custom sifter & sieve sizes.



Box Type Tru-Balance

Up to 14 sieves in 4 sizes provide 10 to 127 sq. ft. of sieving area & up to 6 separations. Available with pneumatic sieve compression or the original rack & pinion press top operators.



QA Gravity Flow Series

Two standard models use up to 9 sieves providing a screen area of 45 to 80 sq. ft. Gravity Flow machines allow for separation & sizing of a single product stream into two or more particle sizes.



QA In-Line Series

Four standard models use from 2 to 7 sieves & provide up to 62.3 sq. ft. of screen area. Directly insert these sifters in pneumatic conveying lines for removal of oversized impurities.



Sampl-Sifters

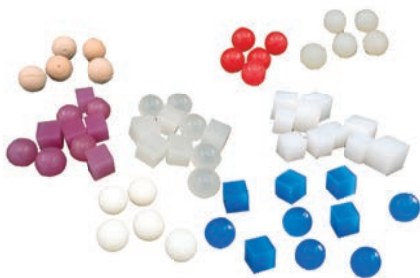
A sample sized sifter used to determine & monitor sifting & grinding performance. The Sampl-Sifter is available as a tabletop unit or installed in a work table. It includes a single phase motor & adjustable built-in electric timer.



EQUIPMENT, PARTS, SUPPLIES



- Agitator/Blenders
- Stream dividers
- Screen stretchers
- FREE test services
- Bearings
- Transitions
- Sieves
- Screens
- Sieve carts
- Screen storage cabinets
- Screen, pan, & combo cleaners
- Tools
- Adhesives



We offer customization of our standard equipment to suit your installation & process requirements.



Street Address:
2017 S. 4th St., Leavenworth, KS 66048

Mailing Address:
P.O. Box 149, Leavenworth, KS 66048

Toll Free Phone:
1-800-682-3121

Email:
sifter@gwmfg.com

