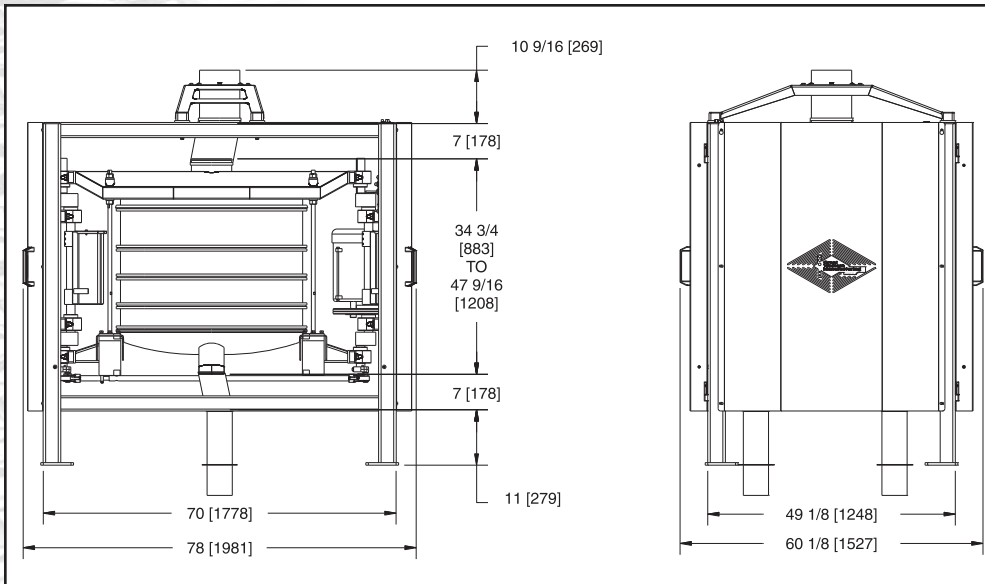
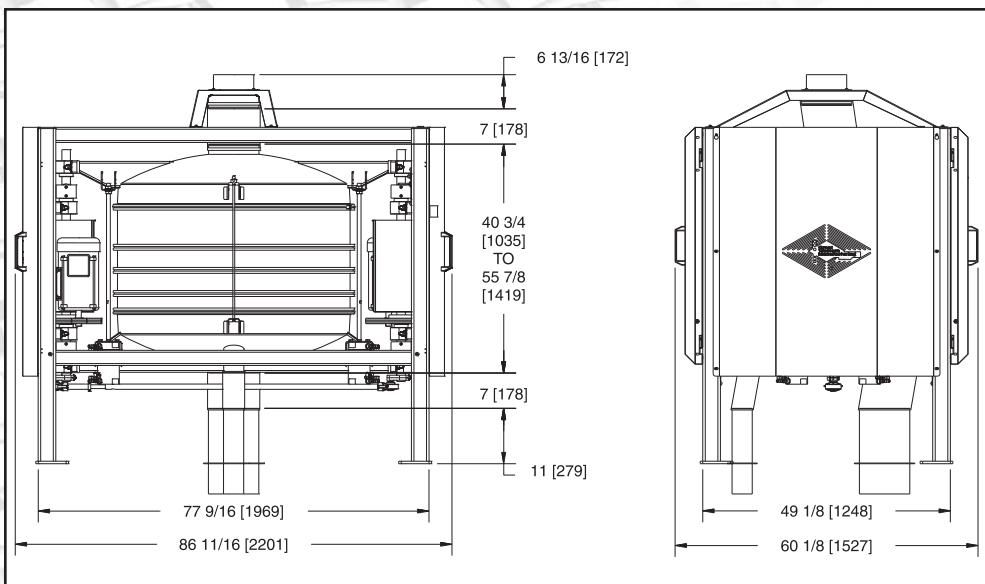


QA Series Gravity Flow Sifter Dimensions



QA36

- Nominal Ø36" (Ø914 mm)
- Net screen area 5 ft²/sieve (0.46 m²/sieve)
- Models with 3 to 9 sieves
- Net sieving area from 15 to 45 ft² (1.39 to 4.18 m²)
- One - 1½ HP (1.1 kw) motor with V-belt drive
- Drive guards
- Inlet support bracket and floor stubs are optional
- Tailings canister is optional



QA46

- Nominal Ø46" (Ø1168 mm)
- Net screen area 8.9 ft²/sieve (0.83 m²/sieve)
- Models with 4 to 9 sieves
- Net sieving area from 32 to 80 ft² (3.31 to 7.44 m²)
- Two - 1½ HP (1.1 kw) motors with V-belt drives
- Drive guards
- Inlet support bracket and floor stubs are optional
- Tailings canister is optional

Typical arrangements illustrated. Custom arrangements are also available.
 Dimensions shown in inches (millimeters) are indicative and subject to change without notice.
 Contact Great Western for detailed installation drawings.

