

QA Series Gravity Flow Sifter Dimensions

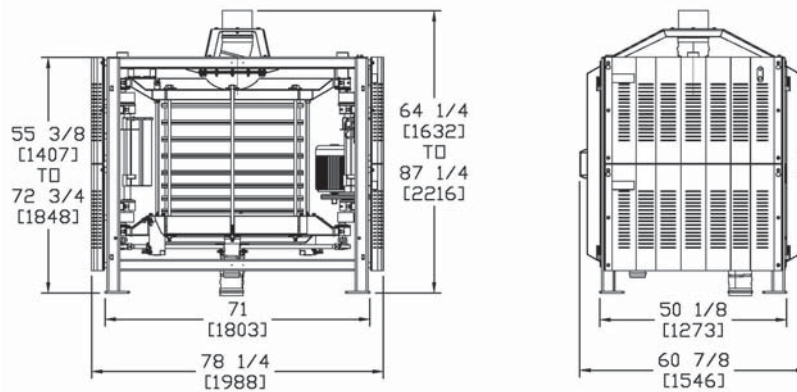
QA 24

- Nominal Ø36" (Ø914 mm)
- Net screen area 5 ft²/sieve (0.46 m²/sieve)
- Models with 3 to 9 sieves
- Net sieving area from 15 to 45 ft² (1.39 to 4.18 m²)
- One 1 ½ HP (1.1 kw) motor with V-belt drive
- Drive guards
- Inlet support bracket and floor stubs are optional
- Tailings canister is optional

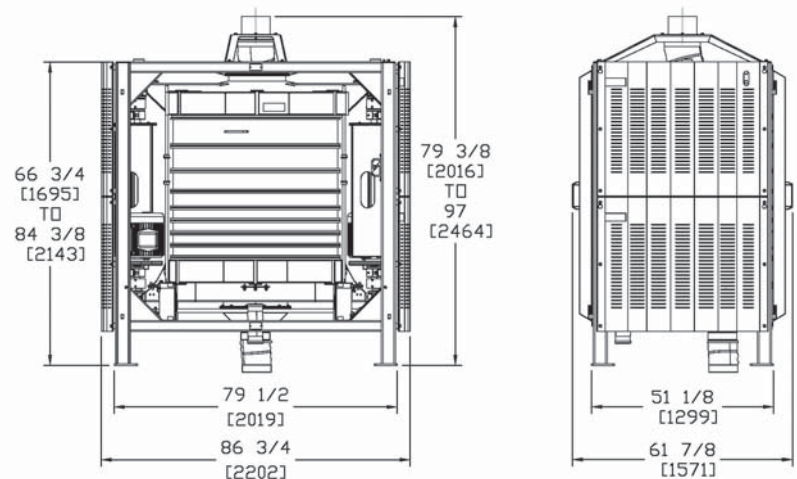
QA46

- Nominal Ø46" (Ø1168 mm)
- Net screen area 8.9 ft²/sieve (0.83 m²/sieve)
- Models with 4 to 9 sieves
- Net sieving area from 32 to 80 ft² (3.31 to 7.44 m²)
- Two 1 ½ HP (1.1 kw) motors with V-belt drives
- Drive guards
- Inlet support bracket and floor stubs are optional
- Tailings canister is optional

QA 36



QA 46



Guards removed for clarity.

Standard arrangements illustrated. Dimensions shown in inches (mm) are indicative and subject to change without notice.

Contact Great Western for detailed installation drawings.



We offer customization of our standard equipment to suit your installation and process requirements.