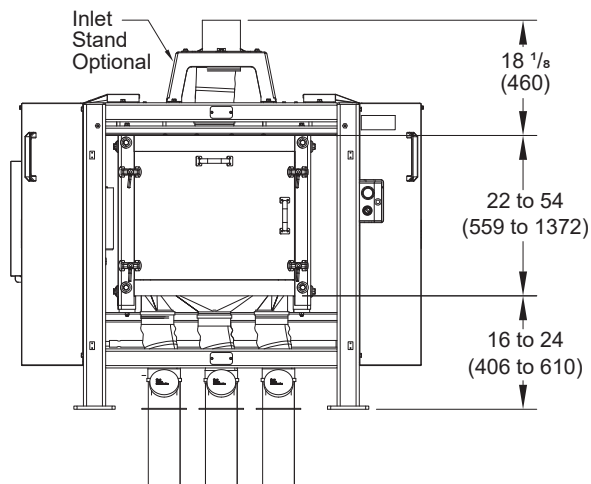
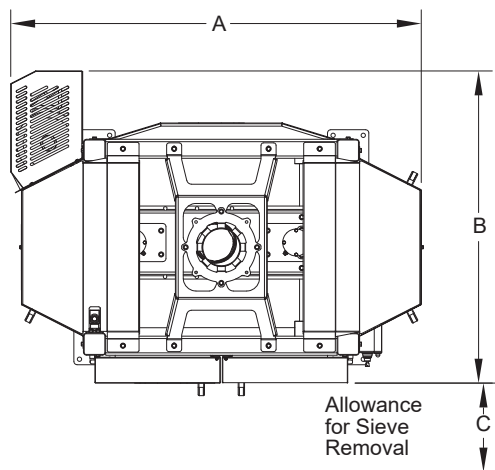
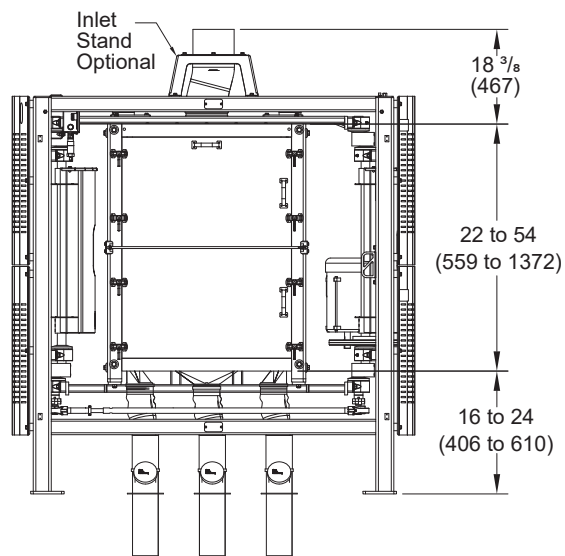
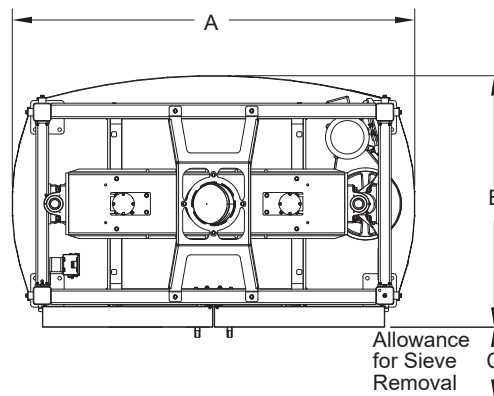


# Box Type Tru-Balance Sifter Dimensions

## Series 100



## Series 200, 300, 400



Series	100	200	300	400
Motor(s)	1 @ 1 HP (.75kw)	1 @ 1 1/2 HP (1.1kw)	1 @ 1 1/2 HP (1.1kw)	2 @ 1 1/2 HP (1.1kw)
Sieve Size	24-11/16" (627 mm)	30-7/8" (784 mm)	30-7/8" x 40 7/8" (784 x 1038 mm)	40-7/8" (1038 mm)
A	64-5/8" (1641 mm)	78 1/4" (1988 mm)	78 1/4" (1988 mm)	88-5/8" (2251 mm)
B	49-1/8" (1248 mm)	48-7/8" (1241 mm)	58-7/8" (1495 mm)	60 1/4" (1530 mm)
C	24" (610 mm)	30" (762 mm)	40" (1016 mm)	40" (1016 mm)



Guards removed for clarity.

Standard arrangements illustrated. Dimensions shown in inches (mm) are indicative and subject to change without notice.

Contact Great Western for detailed installation drawings.

We offer customization of our standard equipment to suit your installation and process requirements.